

6

5

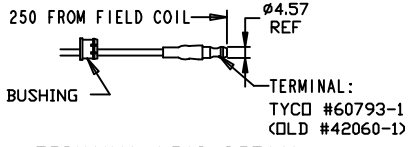
4

3

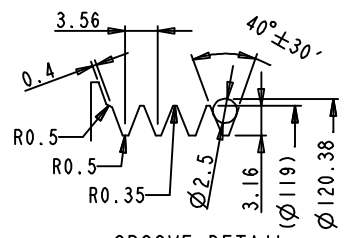
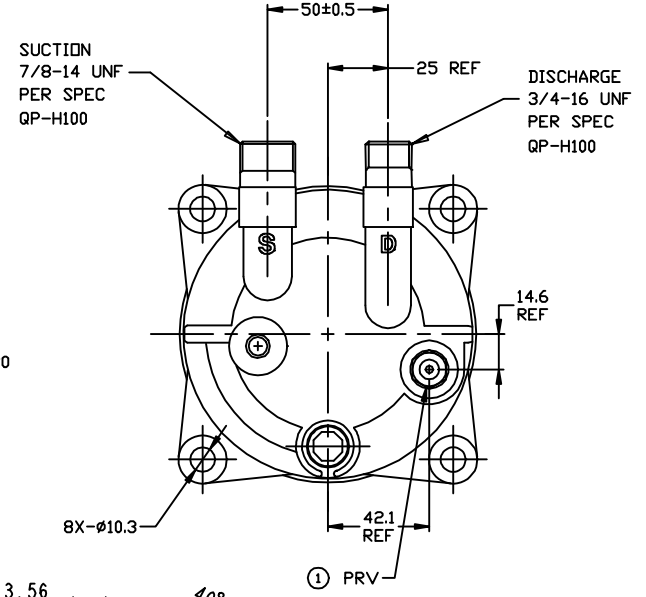
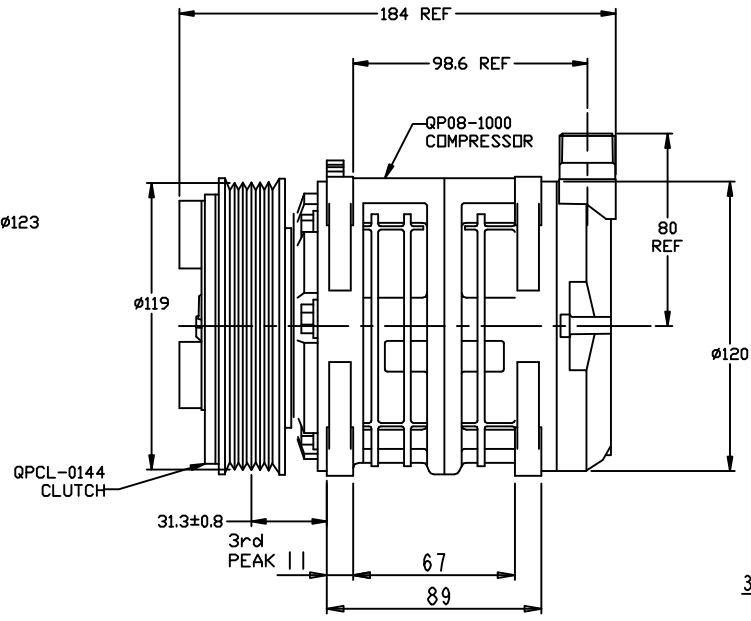
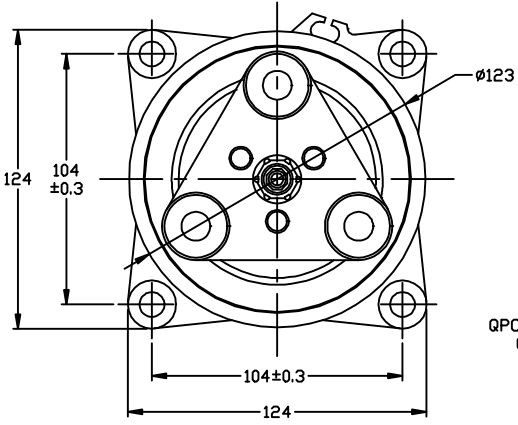
2

1

REVISIONS				
CHANGE ORDER	LTR	DESCRIPTION	DATE	APPROVED
Q11002	1	ADDED PRV & LOCATING DIMS	03/25/11	



TERMINAL LEAD DETAIL



GROOVE DETAIL

- CLUTCH SPECIFICATIONS:
- VOLTAGE..... .12 VDC
 - BELT..... .PV6
 - STATIC TORQUE
 INITIAL..... .35 Nm (3.5 Kgfm)
 AFTER BURNISHING..... .49 Nm (5 Kgfm)
 - MAX POWER CONSUMPTION..... .45W @ 25°C
 - ROTATION DIRECTION..... .CW OR CCW
 - WEIGHT..... .2.25 Kg

- COMPRESSOR SPECIFICATIONS:
- MODEL..... .QP08HD
 - NUMBER OF CYLINDERS..... .6
 - BORE X STROKE..... .36 X 13.4 mm
 - DISPLACEMENT..... .82.0 cm³/REV
 - SPEED RANGE..... .700 - 6000 RPM
 - ROTATION DIRECTION..... .CW OR CCW
 - REFRIGERANT..... .R-134a
 - LUBRICANT..... .PAG 46 150+20cm³
 - WEIGHT..... .4.1 Kg

UNLESS OTHERWISE SPECIFIED DIMENSIONS ARE IN MM. INTERPRET DIM AND TOL PER ASME Y14.5M - 1994	CAD GENERATED DRAWING, DO NOT MANUALLY UPDATE		 DECATUR, ILLINOIS			
	THIRD ANGLE PROJECTION	DRAWN GLB			DATE 11/24/09	
	CHECKED		TITLE COMPRESSOR ASSEMBLY QP08HD V-3/4 7/8 PV6 119mm 12V 3-EYE			
	APPROVED					
FINISH	ENG APPVL		SIZE A	CODE IDENT NO	DWG NO QP08-1137	REV 1
SCALE: NONE			SHEET 1 OF 1			

6

5

4

3

2

1