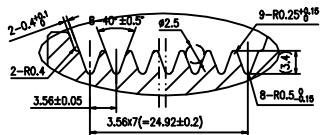
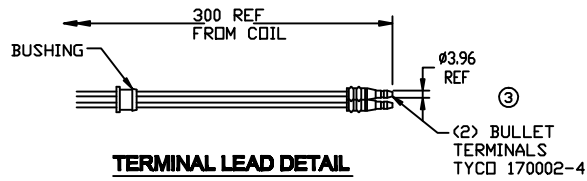
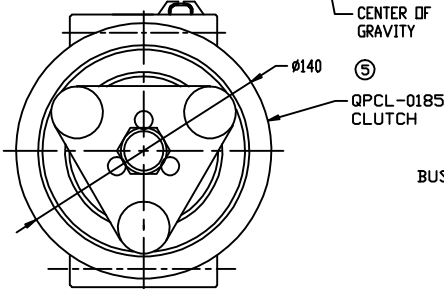
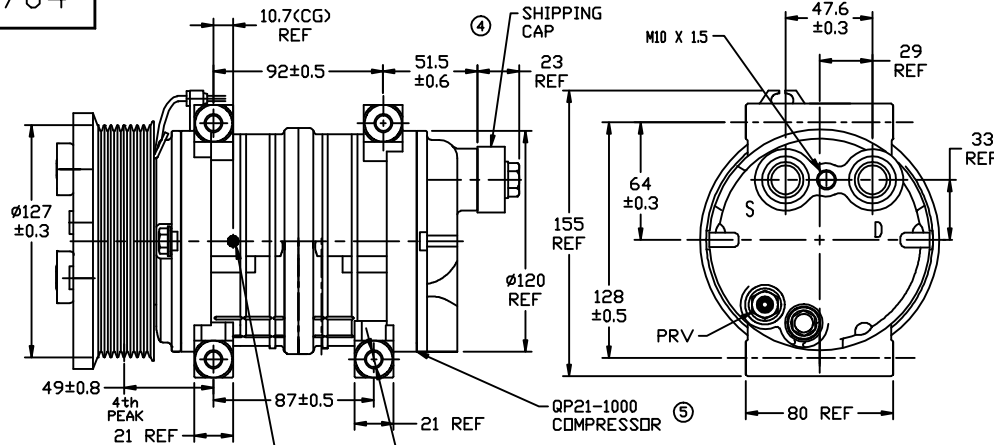


QP21-1704



**CLUTCH SPECIFICATIONS**

- 1) VOLTAGE.....24 VDC
- 2) BELT.....PV8
- 3) STATIC TORQUE  
INITIAL.....40 Nm  
AFTER BURNISHING.....59 Nm ②
- 4) MAX POWER CONSUMPTION.....45W @ 25°C
- 5) WEIGHT.....31 Kg

**COMPRESSOR SPECIFICATIONS**

- 1) MODEL.....QP21
- 2) NUMBER OF CYLINDERS.....10
- 3) BORE x STROKE.....Ø32 x 26.7
- 4) DISPLACEMENT.....214.7 cm3
- 5) SPEED RANGE.....700-6000 RPM
- 6) ROTATION DIRECTION.....CW or CCW
- 7) REFERIGERANT.....R-134a
- ① 8) LUBRICANT.....PAG 46 180cc
- 9) WEIGHT.....5.1 Kg

**REVISIONS**

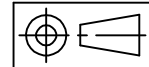
| CHG | ED#    | DESCRIPTION                 | DATE     | BY  | CK |
|-----|--------|-----------------------------|----------|-----|----|
| A   | CR     | REVISED                     | 07/24/07 | GLB |    |
| B   | ENG    | REVISED                     | 09/19/07 |     |    |
| C   | ENG    | ADDED TOLERANCES, REV WIRE  | 12/19/07 |     |    |
| 1   | Q08023 | ADDED: '46' to PAG (NOTE 8) | 08/12/08 |     |    |
| 2   | Q09029 | ADDED CLUTCH SPECS & WATTS  | 08/12/08 |     |    |
| 3   | Q09033 | ADDED 170002-4 Ø3.96        | 09/24/09 |     |    |
| 4   | ENG    | ADDED SHIPPING CAP          | 10/02/09 |     |    |
| 5   | ENG    | ADDED PART NO'S             | 10/05/09 | GLB |    |

**NOTICE**

QUE PRODUCTS, LLC CLAIMS PROPRIETARY RIGHTS IN THE MATERIAL DISCLOSED HERON. THIS DRAWING IS ISSUED FOR ENGINEERING INFORMATION ONLY. IT MAY NOT BE REPRODUCED, NOR MAY THE INFORMATION HERON BE USED FOR MFG. PURPOSES WITHOUT WRITTEN PERMISSION FROM QUE PRODUCTS, LLC

**UNLESS OTHERWISE SPECIFIED:**

- X.XX± - X.XXX± - <=± -
- DRAFT= - PER SIDE WALL= - RADII= -
- DIMENSION LIMITS TO BE HELD AFTER PLATING OR CONVERSION COATING
- DIMENSIONS PER ANSI Y14.5
- SURFACE FINISH PER ANSI Y14.36



CUSTOMER NAME PART NO - REV



**ALL CHANGES TO BE MADE ON CAD SYSTEM**

|       |     |      |            |         |         |      |
|-------|-----|------|------------|---------|---------|------|
| DRAWN | GLB | DATE | 05/02/2007 | EWR-ECR | CHECKED | DATE |
|-------|-----|------|------------|---------|---------|------|

|                         |        |
|-------------------------|--------|
| MATERIAL AND HEAT TREAT | FINISH |
| -                       | -      |

TITLE  
H-PAD 24V PV8 GRV 127mm

|           |                     |                 |
|-----------|---------------------|-----------------|
| FILE SIZE | EXPERIMENTAL DWG NO | RELEASED DWG NO |
| A         |                     | QP21-1704       |

SCALE: / = 1.00 DO NOT SCALE DRAWING SHEET 1 OF 1

BLACK DOT = UNCONTROLLED COPY RED DOT = CONTROLLED COPY BLUE DOT = EXPERIMENTAL DRAWING