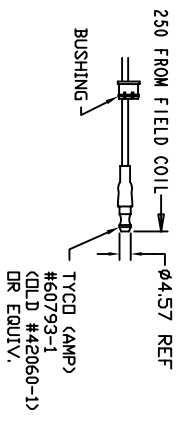
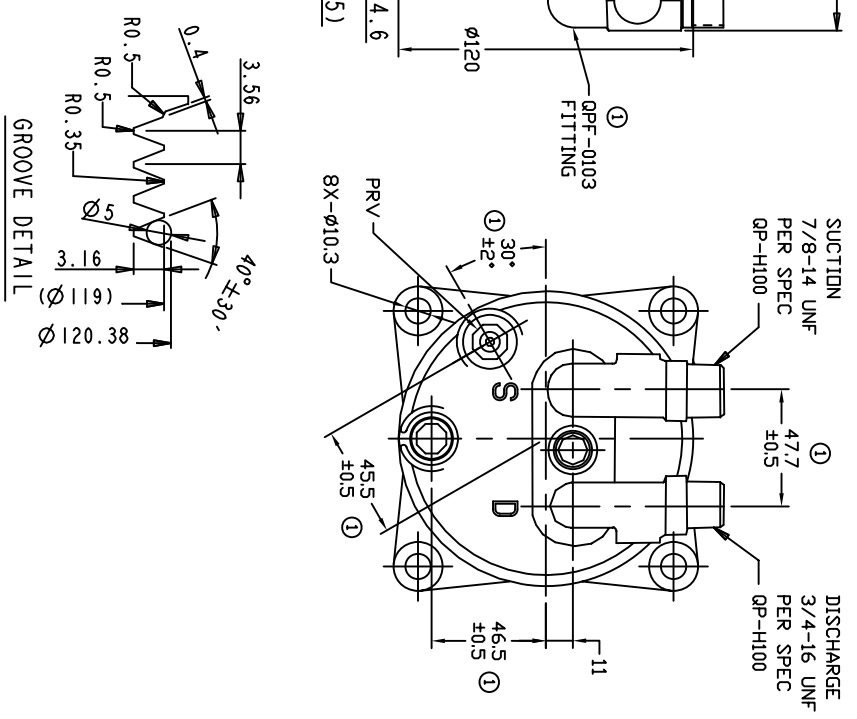
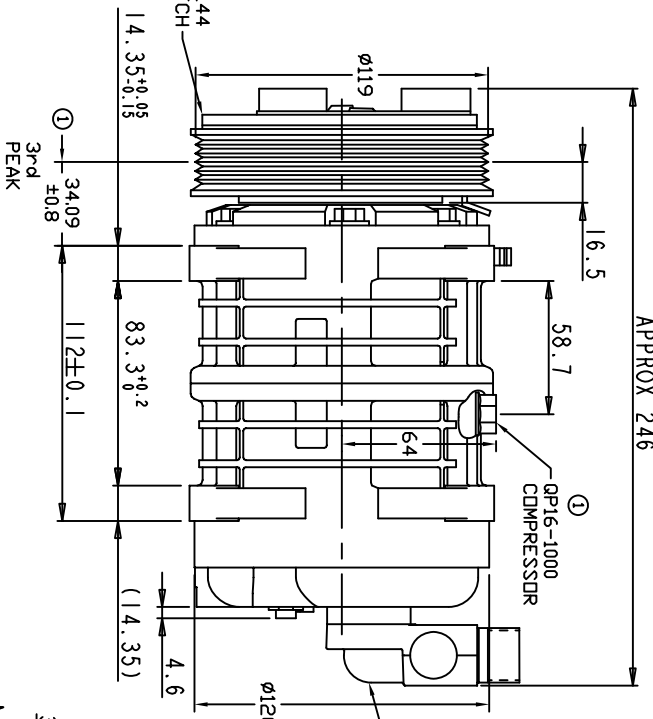
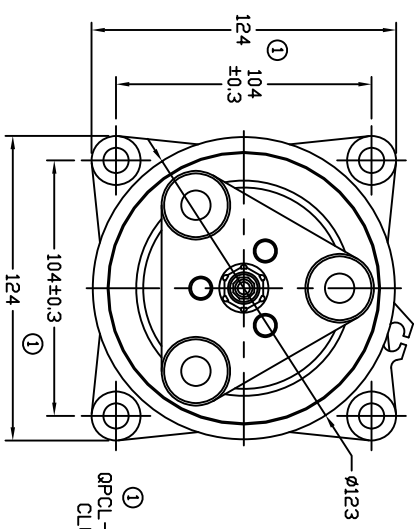


REVISIONS		DATE	APPROVED
CHANGE ORDER	LTR	DESCRIPTION	
009035	1	ADDED TOLERANCES & PART NOS	10/30/09



TERMINAL LEAD DETAIL



- CLUTCH SPECIFICATIONS:**
- VOLTAGE..... 12 VDC
 - BELT..... PV6
 - STATIC TORQUE.....
 - INITIAL AFTER BURNISHING..... 35 Nm (3.5 Kgfm)
 - MAX POWER CONSUMPTION..... 49 Nm (5 Kgfm)
 - ROTATION DIRECTION..... CW OR CCW
 - WEIGHT..... 2.28 Kg

- COMPRESSOR SPECIFICATIONS:**
- MODEL..... QP16
 - NUMBER OF CYLINDERS..... 6
 - BORE X STROKE..... 36 X 26.7 mm
 - DISPLACEMENT..... 162.9 cm³/REV
 - SPEED RANGE..... 700 - 6000 RPM
 - ROTATION DIRECTION..... CW OR CCW
 - REFRIGERANT..... R-134a
 - LUBRICANT..... PAG 46 180+20cm³
 - WEIGHT..... 4.7 Kg

UNLESS OTHERWISE SPECIFIED DIMENSIONS ARE IN MM. PER INTERPRET DIM AND TOL. PER ASME Y14.5M - 1994		CAD GENERATED DRAWING, DO NOT MANUALLY UPDATE	
THIRD ANGLE PROJECTION	CHECKED	DATE	09/05/08
FINISH	APPROVED	SCALE	NONE
TITLE		COMPRESSOR ASSEMBLY	
DRAWN		GILB	
DATE		09/05/08	
APPROVED		DATE	
ENG APPVL		DATE	
SIZE		CODE IDENT NO DWG NO	
A		QP16-1184	
SCALE NONE		SHEET 1 OF 1	



COMPRESSOR ASSEMBLY
QP16HD V-3/4 7/8
PV6 119mm 12V 3-EYE

QP16-1184
REV 1