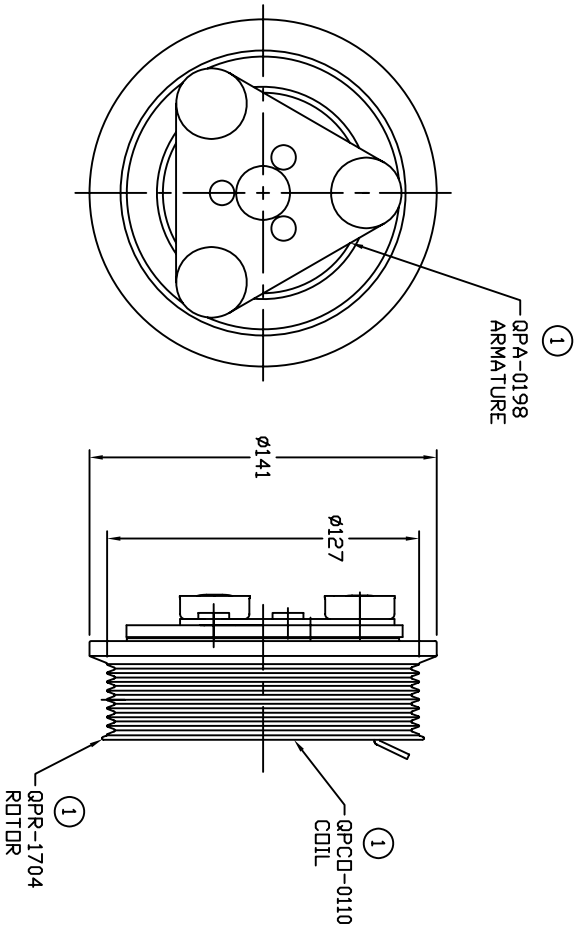
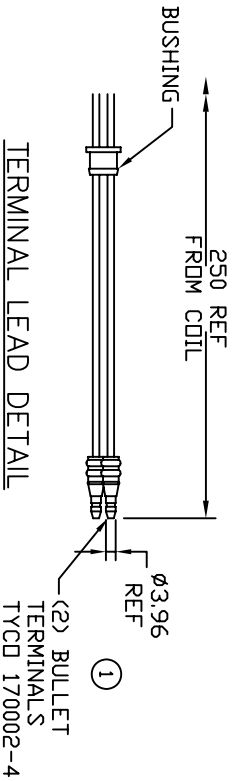
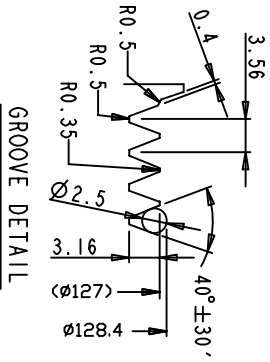


REVISIONS			DATE	APPROVED
CHANGE ORDER	LTR	DESCRIPTION	DATE	APPROVED
009033	1	3.96 WAS 4.57, ADDE PART NDS	11/18/09	



- CLUTCH SPECIFICATIONS:
- VOLTAGE..... 12 VDC
  - BELT..... PV8
  - STATIC TORQUE.....
  - INITIAL..... 35 Nm (3.5 KgfM)
  - AFTER BURNISHING..... 49 Nm (5 KgfM)
  - MAX POWER CONSUMPTION..... 45W @ 25°C
  - ROTATION DIRECTION..... CW OR CCW
  - WEIGHT.....



UNLESS OTHERWISE SPECIFIED DIMENSIONS ARE IN MM. PER INTERPRET DIM AND TOL PER ASME Y14.5M - 1994		CAD GENERATED DRAWING; DO NOT MANUALLY UPDATE		TITLE	
THIRD ANGLE PROJECTION	CHECKED	DATE	07/10/09	CLUTCH	QP21
FINISH	APPROVED	SCALE	NONE	PV8 127mm 12V 3-EYE	QPCD-0275
	ENG APPVL	SHEET	1	OF	1

**QPCD PRODUCTS, LLC**

CLUTCH QP21

PV8 127mm 12V 3-EYE

QPCD-0275

REV 1

SCALE NONE

SHEET 1 OF 1