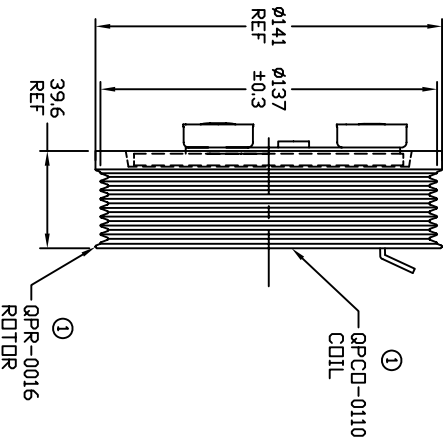
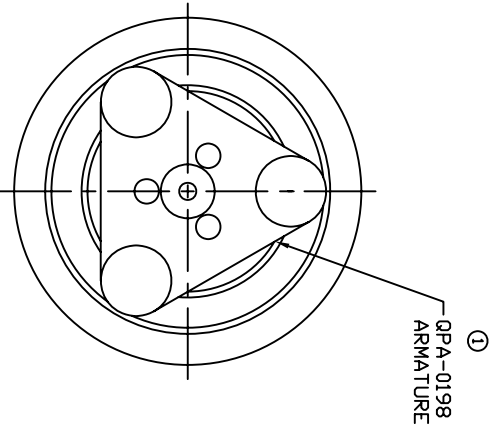
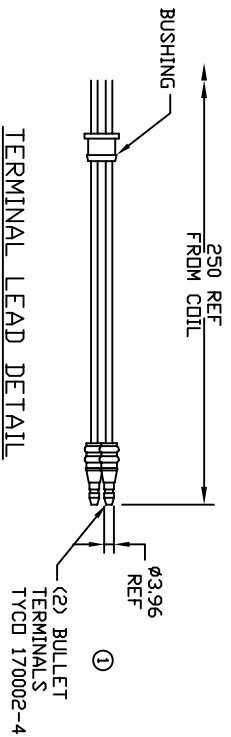
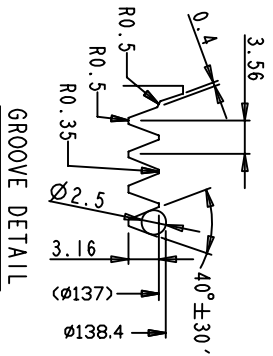


REVISIONS			DATE	APPROVED
CHANGE ORDER	LTR	DESCRIPTION		
009033	1	Ø396 WAS Ø4.57, ADDED PART NDS	11/17/09	



- CLUTCH SPECIFICATIONS:
- VOLTAGE..... 12 VDC
 - BELT..... PV8
 - STATIC TORQUE.....
 - INITIAL AFTER BURNISHING..... 35 Nm (3.5 Kgfm)
 - MAX POWER CONSUMPTION..... 49 Nm (5 Kgfm)
 - WEIGHT..... 45W Ø 25°C
5. ROTATION DIRECTION..... CW OR CCW



UNLESS OTHERWISE SPECIFIED
DIMENSIONS ARE IN MM. PER
INTERPRET DIM AND TOL. PER
ASME Y14.5M - 1994

CAD GENERATED DRAWING;
DO NOT MANUALLY UPDATE

THIRD ANGLE PROJECTION	CHECKED	DATE	TITLE
	APPROVED	07/10/09	CLUTCH QP21

QPAE PRODUCTS, LLC

PV8 137mm 12V 3-EYE

FINISH	SCALE NONE	SHEET 1 OF 1
ENG APPVL	REV 1	

QPCD-0213