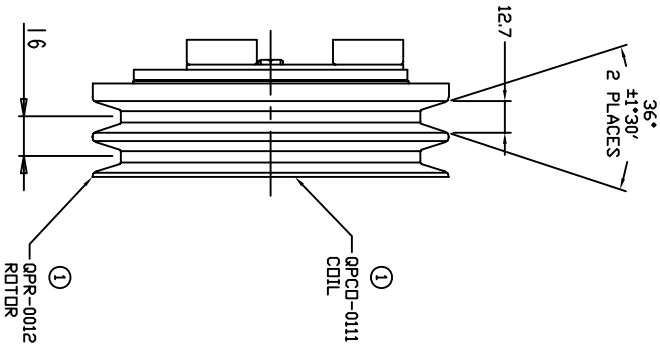
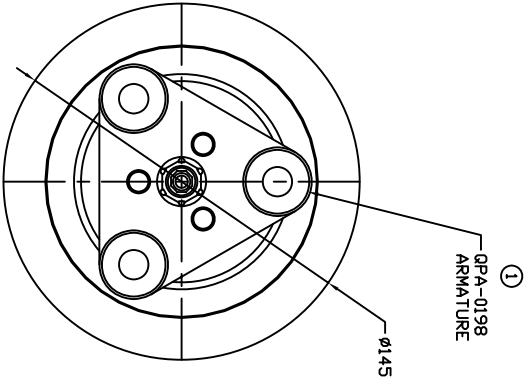
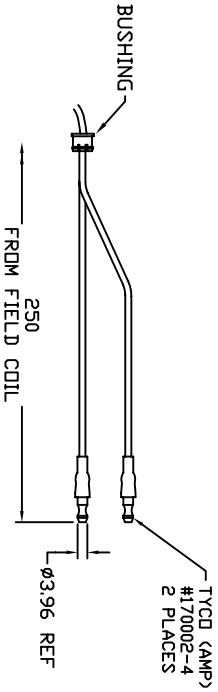


REVISIONS				
CHANGE ORDER	LTR	DESCRIPTION	DATE	APPROVED
009033	1	BULLET WAS 60793-1, ADDED PART NUTS	11/12/09	



- CLUTCH SPECIFICATIONS:
- VOLTAGE..... 24 VDC
  - BELT..... A2
  - STATIC TORQUE..... 35 Nm (3.5 Kgfm)  
INITIAL..... 49 Nm (5 Kgfm)  
AFTER BURNISHING..... 45W @ 25°C
  - MAX POWER CONSUMPTION..... CW OR CCW
  - ROTATION DIRECTION..... 2.25 Kg
  - WEIGHT.....



UNLESS OTHERWISE SPECIFIED DIMENSIONS ARE IN MM. PER INTERPRET DIM AND TOL PER ASME Y14.5M - 1994		CAD GENERATED DRAWING, DO NOT MANUALLY UPDATE	
THIRD ANGLE PROJECTION	CHECKED	GLB	DATE 08/15/08
FINISH	APPROVED	ENG APPVL	
TITLE CLUTCH QP21		SCALE NONE	
SIZE A		CODE IDENT NO A2 145mm 24V 3-EYE	DWG NO QPCL-0209
REV 1		SHEET 1 OF 1	

**QPAE** PRODUCTS, LLC

A 6 5 4 3 2